

## Joinmax Motor 3561

Model:JMP-BE-3561

### Introduction

The motor is of high power, satisfactory for use in robot contests.

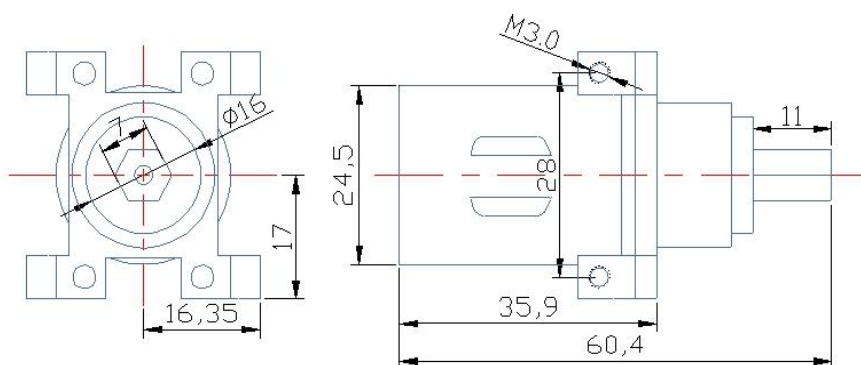
### Motor



### Feature

1. It's of standard 2-line connection, which connects to high-power motor control board.
2. Norminal voltage: DC12V.
3. No-load speed:  $1700 \pm 8\%$  rpm.
4. No-load current: 700mA
5. Stall torque: 20kgf.cm (@12VDC)

### Specifications



### Part List

1. (no drive) 12V high-power motor (1 piece)
2. 3\*8 bolt and nut (4 pairs)